



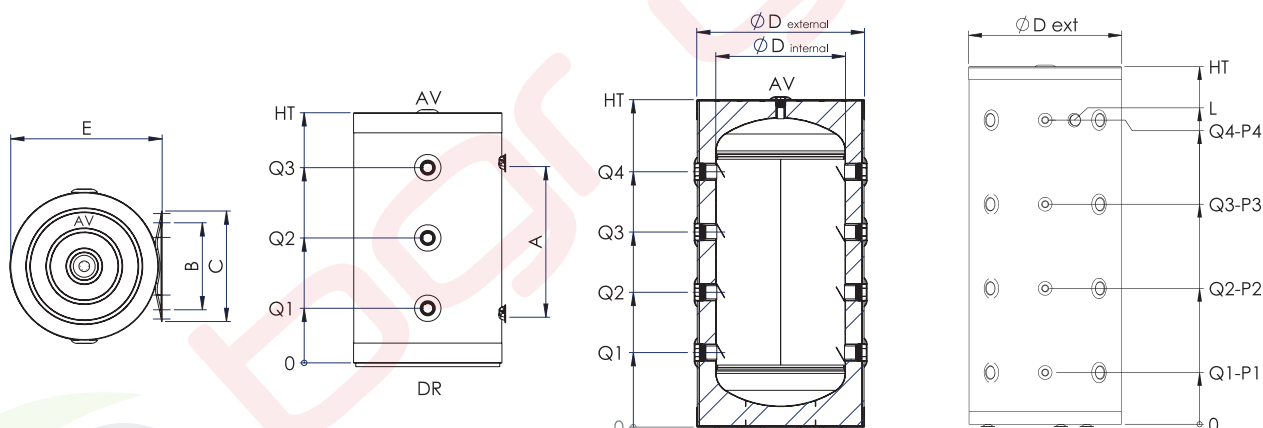
ENAMELED BUFFER TANKS



25 | 50 | 80 | 100 | 120 | 160 | 200 | 300 | 500 liters

Designed for heating and heat pump installations. Manufactured to the highest standards of quality and durability. Their external insulation made of high-quality polyurethane guarantees minimal heat loss. The range includes models from 25 to 500 liters with a wide range of water connections. They are suitable for any type of domestic hot water systems. 3-year warranty. Made in the EU.

Volume (L)	Net weight (kg)	Dimensions (mm)	Insulation (mm)	Working pressure (bar)	Operating temperature (°C)	Number of water connections/size	Number of thermosensor sleeves/size	Auto breather connection	Energy class
25	11	D443/H455	55	3	95	4 x 1"	-	1/2"	B
50	15	D443/H750	55	3	95	6 x 1"	-	1/2"	B
80	20	D500/H838	50	3	95	8 x 1 1/4"	-	1/2"	B
100	22	D500/H978	50	3	95	8 x 1 1/4"	-	1/2"	B
120	24	D500/H1128	50	3	95	8 x 1 1/4"	-	1/2"	B
160	42	D600/H1035	50	3-10	95	8 x 1 1/2"	4 x 1/2"	1 1/2"	B
200	48	D600/H1230	50	3-10	95	8 x 1 1/2"	4 x 1/2"	1 1/2"	B
300	63	D600/H1760	50	3-10	95	8 x 1 1/2"	4 x 1/2"	1 1/2"	B
500	106	D700/H1900	50	3-10	95	8 x 1 1/2"	4 x 1/2"	1 1/2"	C



from 25 to 120 liters

from 160 to 500 liters

Volume (L)	Q1 (mm)	Q2 (mm)	Q3 (mm)	Q4 (mm)	A (mm)	B (mm)	C (mm)	E (mm)
25	167	287	-	-	150	260	330	454
50	164	374	584	-	450	260	330	454
80	223	356	490	623	400	260	330	512
100	223	403	583	978	540	260	330	512
120	223	453	683	913	690	260	330	512
160	243	424	605	786	-	-	-	-
200	243	489	735	981	-	-	-	-
300	243	666	1088	1511	-	-	-	-
500	239	712	1184	1656	-	-	-	-